



KONICA MINOLTA

# bizhub C364e/C284e/C224e Spec Sheet

## System

**Select One** One of the options may be selected (not mandatory).

**Must Select** Once of the options must be selected (mandatory).

**Dual Scan Document Feeder DF-701**

**Reverse Automatic Document Feeder DF-624**

**Original Cover OC-511**

**Punch Kit PK-520**  
Attaches to Finisher FS-534 for hole punching capability (paper up to 300 g/m<sup>2</sup> thick)

**Saddle Stitcher SD-511**  
Attaches to Finisher FS-534 for saddle stitching, half folding and tri-folding jobs.  
\* SD-511 cannot be retrofitted.

**Finisher FS-534**  
A small, low-noise and high-performance finisher that allows you to multi-staple up to 50 sheets.

**Staple Kit SK-602**  
\* for FS-534, SD-511

**Finisher FS-533**  
Inner finisher

**Punch kit PK-519**

**Job Separator JS-506**  
Inner job separator

**Upgrade kit UK-204**  
2 GB memory

**i-Option LK-101 v3**  
Web browse function

**i-Option LK-102 v3**  
Encrypted PDF or PDF/A (1a/1b)

**i-Option LK-104 v3**  
Voice guidance  
\* Local Interface Kit EK-606 or EK-607 is required.

**i-Option LK-105 v3**  
Searchable PDF

**i-Option LK-111**  
ThinPrint function

**Keypad KP-101**

**Assist Handle AH-101**

**Image Controller (Fiery) IC-414** \* For bizhub C364e/C284e only.

**Video Interface Kit (Fiery) VI-506** \* For bizhub C364e/C284e only.

**Security Kit SC-508**  
\* Two SC-508 are required.

**Fax Kit FK-511**  
For 1st / 2nd line  
\* 1st line : Requires Main Unit + one FK-511  
\* 2nd line: Requires Main Unit + two FK-511

**Stamp Unit SP-501**

**Working Table WT-506**

**Authentication Unit AU-102**  
Biometric type  
\* WT-506 is required.

**Authentication Unit AU-201**  
IC card type  
\* WT-506 or MK-735 is required. However, AU-102 cannot be combined when equipped with WT-506.

**Mount Kit MK-735**  
For IC card authentication installation  
Built into front panel.

**Mount Kit MK-730**  
Used for banner printing.

**i-Option LK-106**  
Barcode font (Code39, QR Code, PDF417)

**i-Option LK-107**  
Unicode font

**i-Option LK-108**  
OCR font (OCR-A, OCR-B (PCL))

**i-Option LK-110**  
File format extension package

**bizhub Connector S-1/G-1/E-1**  
\* LK-101 v3 is required.

**i-Option LK-115**  
TPM function  
\* Not available in all areas.

**Upgrade kit UK-208**  
Android terminal connection kit 1

**Upgrade kit UK-209**  
Android terminal connection kit 2

**Local Interface Kit EK-606**  
USB hub kit /Voice guidance

**Local Interface Kit EK-607**  
USB hub kit /Voice guidance / mobile phone compatibility

**Desk DK-705**

**Paper Feed Cabinet PC-110 (500 x 1)**

**Paper Feed Cabinet PC-210 (500 x 2)**

**Paper Feed Cabinet PC-410 (2,500)**

**Desk DK-510**

\*Cannot be selected with FS-534 installed.

- A5 (Short edge feed) to A3
- 500 sheets x 1
- 52 to 256 g/m<sup>2</sup>

- A5 (Short edge feed) to A3
- 500 sheets x 2
- 52 to 256 g/m<sup>2</sup>

- A4/Letter Crosswise
- 2,500 sheets
- 52 to 256 g/m<sup>2</sup>

Note: Some options are not listed.

# Specifications

## bizhub C364e/C284e/C224e General Specifications

		bizhub C364e	bizhub C284e	bizhub C224e
Type	Desktop Full Colour Printer / Copier / Scanner			
Colour Support	Full colour			
Copy Resolution	Scan	Main: 600 dpi × Sub: 600 dpi		
	Print	1,800 dpi (equivalent) × 600 dpi		
Gradation	256			
Memory Capacity (Std./Max.)	2 GB/4 GB			
HDD	250 GB			
Original Type	Sheets, Books, Objects			
Max. Original Size	A3 (11" × 17")			
Output Size	SRA3 to A5, B6S*, A6S*, Thick paper, Foolscap** (8-1/2" × 13-1/2", 200 mm × 330 mm, 8-1/8" × 13-1/4", 8-1/2" × 13", 8-1/4" × 13", 8" × 13"), 8K, 16K, Long Length Paper (210 × 457.3 mm to 297 × 1,200 mm)			
Image Loss	Max. 4.2mm or less for top edge (5 mm for thin paper), Max. 3.0mm or less for bottom edge, Max. 3.0mm or less for right/left edges *A loss of 4.2 mm each during printing.			
Warm-Up Time** (23°C, std. voltage)	Colour/B&W: 20 sec. or less		Colour/B&W: 20 sec. or less	
	*The time required to start printing when both the main power and sub-power switches are turned from OFF to ON.		Colour/B&W: 20 sec. or less	
First Copy Out Time**	Colour: 6.9 sec. or less B&W: 5.3 sec. or less		Colour: 7.7 sec. or less B&W: 5.9 sec. or less	
	*The time required to start printing when the main power switch is ON and the sub-power switch is turned from OFF to ON.		Colour/B&W: 18 sec. or less	
Copy Speed (A4 Crosswise)	Colour/B&W: 36 ppm	Colour/B&W: 28 ppm	Colour/B&W: 22 ppm	
Copy Magnification	Fixed Same Magnification	1: 1±0.5% or less		
	Scaling Up	1: 1.154/1.224/1.414/2.000		
	Scaling Down	1: 0.866/0.816/0.707/0.500		
	Preset	3 types		
	Zoom	25 to 400% (in 0.1% increments)		
	Lengthwise Crosswise Individual Settings	25 to 400% (in 0.1% increments)		
Paper Capacity (80 g/m <sup>2</sup> )	Tray 1	500 sheets (up to A3)		
	Tray 2	500 sheets (up to SRA3)		
	Multiple Bypass Tray	150 sheets (up to SRA3)		
Max. Paper Capacity (80 g/m <sup>2</sup> )**	3,650 sheets			
Paper Weight	Tray 1 / 2	52 to 256 g/m <sup>2</sup>		
	Multiple Bypass Tray	60 to 300 g/m <sup>2</sup>		
Multiple Copy	1 to 9,999 sheets			
Auto Duplex	Paper Size	Width: 100 to 320 mm, Length: 148 to 457.2 mm		
	Paper Weight	52 to 256 g/m <sup>2</sup>		
Power Requirements	AC220 to 240 V 8 A (50 to 60 Hz)			
Max. Power Consumption	1.58 kW or less			
Dimensions [W] × [D] × [H]	615 × 685 × 779 mm (24-1/4" × 27-1/2" × 30-3/4")			
Weight	Approx. 85 kg (187-1/2 lb)			
Space Requirements [W] × [D]**	937 × 1,214 mm (37" × 47-3/4")			

\*1 S: Short edge feed

\*2 Set by Customer engineer

\*3 May vary depending on the operating environment and usage.

\*4 A4 crosswise full size/using the first tray/scanning from the original glass surface.

\*5 With options installed.

\*6 Without options, with paper trays pulled out, and multiple bypass tray, auxiliary tray and ADF opened.

## Printer Specifications

Type	Embedded	
CPU	SOC 800 MHz (DualCore)	
Memory	Shared with the copier	
Print Speed	Same as Copy Speed (when using the same original)	
HDD	250 GB (Shared with the copier)	
Print Resolution	1,800 dpi (equivalent) × 600 dpi (at smoothing) or 1,200 dpi × 1,200 dpi (in 1,200 dpi mode)*1	
PDL	PCL 5e/c Emulation, PCL 6 Emulation, PostScript 3 (3016) Emulation, XPS (Ver.1.0)	
Protocol	TCP/IP, IPX/SPX (NDS support), SMB (NetBEUI), LPD, IPP1.1, SNMP, HTTP	
Support OS	Windows Vista / Vista 64bit / 7 / 7 64bit / 8 / 8 64bit / 8.1 / 8.1 64bit Windows Server 2003 / Server 2003 64bit / Server 2003 R2 / Server 2003 R2 64bit / Server 2008 / Server 2008 64bit / Server 2008 R2 / Server 2012 / Server 2012 R2 Mac OS 9.2 / X 10.2 / X 10.3 / X 10.4 / X 10.5 / X 10.6 / X 10.7 / X 10.8 / X 10.9 Linux	
Fonts	PCL	80 Roman fonts
	PS	137 Roman Type1 fonts
Interface	Ethernet (10BASE-T/100BASE-TX/1000BASE-T), USB 1.1, USB 2.0, USB Host	

\*1 Output speed will be reduced.

## Scanning Specifications

Type	Full-Colour Scanner	
Interface	Ethernet (10BASE-T/100BASE-TX/1000BASE-T)	
Driver	TWAIN Driver, HDD TWAIN Driver	
Protocol	TCP/IP (FTP, SMB, SMTP, WebDAV) (IPv4/IPv6)	
Scanning Speed (Colour/B&W) (300 dpi, A4 Crosswise)	Simplex	80 opm
	Duplex (DF-701)	160 opm
Scanning Size	Max. A3 (11" × 17")	
Output Format	TIFF, JPEG, PDF Compact PDF, XPS, Compact XPS, OOXML (pptx, xlsx*, docx*), Searchable PDF*, PDF/A*, Linearised PDF* *Optional	
Scanning Resolution	Push	200 dpi / 300 dpi / 400 dpi / 600 dpi
	Pull	100 dpi / 200 dpi / 300 dpi / 400 dpi / 600 dpi
Main Functions	Scan to E-Mail, Scan to FTP, Scan to BOX (HDD), Scan to PC (SMB), Network TWAIN, Scan to WebDAV, Scan to Me, Scan to Home, Scan to USB, Scan to Scan Server, Scan to Web Service (WSD-Scan), Device Profile for Web Services (DPWS)	
Other Functions	Multi-Method Send, Authentication at the time of E-Mail send (SMTP authentication, POP before SMTP), S/MIME, Annotation	

## Internet Fax

Protocol	SMTP, POP	
Connection Mode	Full-Mode	
Sending Paper Size	A3, B4, A4	
Recording Paper Size	Max. A3	
Resolution	200 × 100 dpi, 200 × 200 dpi, 400 × 400 dpi, 600 × 600 dpi	
Interface	Ethernet (10BASE-T/100BASE-TX/1000BASE-T)	
Colour	Support Colour Internet Fax	
Format	Send: TIFF-F, Receive: TIFF-F Colour/Grey Scale: TIFF (RFC3949 Profile-C)	

## Fax Kit FK-511 (Optional)

Communication	Super G3	
Compatible Lines	Public Switch Telephone Network, Private Branch Exchange, Fax Communication Line	
Line Density	G3 (8 dot/mm × 3.85 line/mm, 600 × 600 dpi)	
Modem Speed	2.4 to 33.6 kbps	
Compression	MH/MR/MMR/JBIG	
Sending Paper Size	Max. A3 (Long Length Support: Max. 1,000 mm)	
Recording Paper Size	Max. A3 (Long Length Max. 1,000 mm — following the page division —)	
Transmission Speed	Less than 3 sec. (A4, V34, 33.6 kbps, JBIG)	
Memory	Shared with the copier	
Number of Abbr. Dials	2,000	
Number of Program Dials	400	
Number of Group Dials	100	
Sequential Multiple Station Transmission	Max. 600	

## IP Address Fax \*Optional Fax Kit FK-511 is required.

Protocol Transmission	SMTP	
Sending Paper Size	A3, B4, A4	
Resolution	200 × 200 dpi, 400 × 400 dpi, 600 × 600 dpi	
Format	Send: TIFF-F, Receive: TIFF Colour/Grey Scale: TIFF (RFC3949 Profile-C)	

## Fiery Image Controller IC-414 (Optional)

(For bizhub C364e/C284e Only) \*Optional Video Interface Kit VI-506 is required.

Type	Embedded	
CPU	Intel Pentium E5300 2.60 GHz	
Memory	2 GB	
HDD	160 GB	
Print Speed	Same as Copy Speed (when using the same original)	
Print Resolution	1,800 dpi (equivalent) × 600 dpi (at smoothing) or 1,200 dpi × 1,200 dpi (in 1,200 dpi mode)*1	
PDL	PCL 6, Adobe PostScript 3 (3019)	
Protocol	Ethernet (Apple Talk, TCP/IP), HTTP/HTTPS, SSL/TLS for HTTPS, SMB, Port9100 (Bi-Directional), IPP, LDAP, IPv6, SNMP v3	
Support OS	Windows Vista / Vista 64bit / 7 / 7 64bit / 8 / 8 64bit / 8.1 / 8.1 64bit Windows Server 2003 / Windows Server 2003 64bit / Server 2008 / Server 2008 R2 / Server 2012 / Server 2012 R2 Mac OS X 10.4.11 / X 10.5 / X 10.6 / X 10.7 / X 10.8 / X 10.9	
Fonts	Adobe PS 138 Roman fonts, Agfa PCL 80 Roman fonts and 1 bitmap font, Additional PCL 35 fonts, Euro Currency Resident Font	
Interface	Ethernet (10BASE-T/100BASE-TX/1000BASE-T), USB	

\*1 Output speed will be reduced.

## Dual Scan Document Feeder DF-701 (Optional)

Type	Single pass simultaneous duplex system	
Support Paper Size	A3 to A6S*, 11" × 17" to 5-1/2" × 8-1/2", Foolscap** (8-1/2" × 13-1/2", 200 mm × 330 mm, 8-1/8" × 13-1/4", 8-1/2" × 13", 8-1/4" × 13", or 8" × 13"), 8K, 16K	
Mixed Size	Support	
Original Set	Centre guide	
Resolution	600 dpi support	
Support Paper Weight	Simplex: 35 to 163 g/m <sup>2</sup> , Duplex: 50 to 163 g/m <sup>2</sup> Mixed Original: 50 to 128 g/m <sup>2</sup> FAX Mode: 35 to 163 g/m <sup>2</sup> (Simplex), 50 to 163 g/m <sup>2</sup> (Duplex)	
Paper Capacity	Max. 100 sheets (80 g/m <sup>2</sup> )	
Productivity (A4 Crosswise)	Simplex	Copy (Colour/B&W): 55 opm (600 dpi) Scan (Colour/B&W): 80 opm (300 dpi)
	Duplex	Copy (Colour/B&W): 110 opm (600 dpi) Scan (Colour/B&W): 160 opm (300 dpi)
Power Requirements	Supplied from the MFP main body	
Max. Power Consumption	74.5 W or less	
Dimensions [W] × [D] × [H]	611.2 × 503.6 × 130 mm (24" × 19-3/4" × 5")	
Weight	Approx. 12 kg (26-1/2 lb)	

\*1 S: Short edge feed

\*2 Set by Customer engineer

## Reverse Automatic Document Feeder DF-624 (Optional)

Type	Circulatory duplex system	
Support Paper Size	A3 to A6S*, 11" × 17" to 5-1/2" × 8-1/2", Foolscap** (8-1/2" × 13-1/2", 200 mm × 330 mm, 8-1/8" × 13-1/4", 8-1/2" × 13", 8-1/4" × 13", or 8" × 13"), 8K, 16K	
Mixed Size	Support	
Original Set	Centre guide	
Resolution	600 dpi support	
Support Paper Weight	Simplex: 35 to 128 g/m <sup>2</sup> Duplex/Mixed Original: 50 to 128 g/m <sup>2</sup> FAX Mode: 35 to 128 g/m <sup>2</sup> (Simplex), 50 to 128 g/m <sup>2</sup> (Duplex)	
Paper Capacity	Max. 100 sheets (80 g/m <sup>2</sup> )	
Productivity (A4 Crosswise)	Simplex	Copy (Colour/B&W): 55 opm (600 dpi) Scan (Colour/B&W): 80 opm (300 dpi)
	Duplex	Copy (Colour/B&W): 26 opm (600 dpi) Scan (Colour/B&W): 37 opm (300 dpi)
Power Requirements	Supplied from the MFP main body	
Max. Power Consumption	60 W or less	
Dimensions [W] × [D] × [H]	611.2 × 503.6 × 130 mm (24" × 19-3/4" × 5")	
Weight	Approx. 9 kg (19-3/4 lb)	

\*1 S: Short edge feed

\*2 Set by Customer engineer

# Specifications



## Finisher FS-533 (Optional)

Type	Finisher	
Support Paper Type	Thin paper/Plain paper (52 to 90 g/m <sup>2</sup> ), Thick paper (91 to 300 g/m <sup>2</sup> ), Transparency, Envelope, Label sheet, Letterhead paper, Long length paper, Tab paper	
Support Paper Size	SRA3 to A5, B6S <sup>*1</sup> , A6S <sup>*1</sup> , Thick paper, Foolscap <sup>**2</sup> (8-1/2" x 13-1/2", 200 mm x 330 mm, 8-1/8" x 13-1/4", 8-1/2" x 13", 8-1/4" x 13", 8" x 13"), 8K, 16K, Long Length Paper (210 x 457.3 mm to 297 x 1,200 mm)	
Mode	Sort, Group, Offset Sort, Offset Group, Staple	
Stacking Capacity	500 sheets (52 to 90 g/m <sup>2</sup> , A4S <sup>*1</sup> or smaller) 250 sheets (52 to 90 g/m <sup>2</sup> , B4 or larger) 10 sheets (91 to 300 g/m <sup>2</sup> , special paper)	
Staple Capacity	50 sheets (52 to 90 g/m <sup>2</sup> , A4S <sup>*1</sup> or smaller) 30 sheets (52 to 90 g/m <sup>2</sup> , B4 or larger) 2 sheets (91 to 209 g/m <sup>2</sup> , as cover pages)	
Power Requirements	Supplied from the MFP main body	
Max. Power Consumption	40 W or less	
Dimensions [W] x [D] x [H]	472.5 x 583.5 x 194.7 mm (18-1/2" x 23" x 7-3/4")	
Weight	Approx. 12 kg (26-1/2 lb)	

\*1 S: Short edge feed

\*2 Set by Customer engineer



## Job Separator JS-506 (Optional)

Support Paper Type (Weight)	Tray 1	Thin paper/Plain paper (52 to 90 g/m <sup>2</sup> ), Thick paper (91 to 300 g/m <sup>2</sup> ), Transparency, Envelope, Label sheet
	Tray 2	Thin paper/Plain paper (52 to 90 g/m <sup>2</sup> ), Thick paper (91 to 300 g/m <sup>2</sup> ), Transparency, Envelope, Label sheet, Long length paper
Support Paper Size	SRA3 to A5, B6S <sup>*1</sup> , A6S <sup>*1</sup> , Thick paper, Foolscap <sup>**2</sup> (8-1/2" x 13-1/2", 200 mm x 330 mm, 8-1/8" x 13-1/4", 8-1/2" x 13", 8-1/4" x 13", 8" x 13"), 8K, 16K, Long Length Paper (210 x 457.3 mm to 297 x 1,200 mm)	
Stacking Capacity	Tray 1	100 sheets (52 to 90 g/m <sup>2</sup> )
	Tray 2	150 sheets (52 to 90 g/m <sup>2</sup> )
Power Requirements	Supplied from MFP main body	
Max. Power Consumption	24 W or less	
Dimensions [W] x [D] x [H]	491.9 x 469.5 x 226.5 mm (19-1/2" x 18-1/2" x 9")	
Weight	Approx. 1.5 kg (3-1/4 lb)	

\*1 S: Short edge feed

\*2 Set by Customer engineer



## Punch Kit PK-519 (Optional)

Applicable	Finisher FS-533
Number of holes	2 holes or 4 holes
Support Paper Type (Weight)	Thin paper/Plain paper (52 to 90 g/m <sup>2</sup> ), Thick paper (91 to 157 g/m <sup>2</sup> )
Support Paper Size	A3, B4, A4, B5, Foolscap <sup>**2</sup> (8-1/2" x 13-1/2", 200 mm x 330 mm, 8-1/8" x 13-1/4", 8-1/2" x 13", 8-1/4" x 13", 8" x 13"), 8K, 16K
Power Requirements	Supplied from Finisher FS-533
Dimensions [W] x [D] x [H]	110.2 x 483.5 x 203.2 mm (4-1/2" x 19" x 8")
Weight	Approx. 3.2 kg (7 lb)

\*1 Set by Customer engineer



## Finisher FS-534 (Optional)

Type	Finisher	
Support Paper Type	Thin paper/Plain paper (52 to 90 g/m <sup>2</sup> ), Thick paper (91 to 300 g/m <sup>2</sup> ), Transparency, Envelope, Label sheet, Letterhead paper, Long length paper, Tab paper	
Support Paper Size	SRA3 to A5, B6S <sup>*1</sup> , A6S <sup>*1</sup> , Thick paper, Foolscap <sup>**2</sup> (8-1/2" x 13-1/2", 200 mm x 330 mm, 8-1/8" x 13-1/4", 8-1/2" x 13", 8-1/4" x 13", 8" x 13"), 8K, 16K, Long Length Paper (210 x 457.3 mm to 297 x 1,200 mm)	
Mode	Sort, Group, Offset Sort, Offset Group, Staple	
Stacking Capacity	Output tray 1 (Sub tray)	200 sheets (52 to 90 g/m <sup>2</sup> ) 20 sheets (91 to 300 g/m <sup>2</sup> , special paper)
	Output tray 2 (Main tray)	3,000 sheets (52 to 90 g/m <sup>2</sup> , A4S <sup>*1</sup> or smaller, B5 or larger) *2,000 sheets when SD-511 is installed 1,500 sheets (52 to 90 g/m <sup>2</sup> , B4 or larger) 500 sheets (52 to 90 g/m <sup>2</sup> , A5 or smaller) 20 sheets (91 to 300 g/m <sup>2</sup> , special paper)
	Output tray 3 (Relay Unit top surface)	100 sheets (52 to 90 g/m <sup>2</sup> ) 20 sheets (91 to 300 g/m <sup>2</sup> , special paper)
	Staple Capacity	50 sheets (Plain Paper 52 to 90 g/m <sup>2</sup> ) 48 sheets (Plain paper 52 to 90 g/m <sup>2</sup> ) + 2 sheets (Thick paper 91 to 209 g/m <sup>2</sup> ) 30 sheets (Thick paper 91 to 120 g/m <sup>2</sup> ) 15 sheets (Thick paper 121 to 209 g/m <sup>2</sup> )
Power Requirements	Supplied from the MFP main body	
Max. Power Consumption	56 W or less	
Dimensions [W] x [D] x [H]	528 x 641 x 1,023 mm (20-3/4" x 25-1/4" x 40-1/4")	
Weight	Approx. 40 kg (88-1/4 lb)	

\*1 S: Short edge feed

\*2 Set by Customer engineer



## Saddle Stitcher SD-511 (Optional)

Applicable	Finisher FS-534
Support Paper Type	Centre Staple: 52 to 90 g/m <sup>2</sup> Half-Fold: 52 to 209 g/m <sup>2</sup> (more than 91 g/m <sup>2</sup> Thick paper can be used only as a cover page) Tri-Fold: 52 to 90 g/m <sup>2</sup>
Support Paper Size	Centre Staple and Fold, Half-Fold: A3 Wide, A3, B4, A4S <sup>*1</sup> , 12-1/4" x 18", 11" x 17", 8-1/2" x 14", 8-1/2" x 11", 8K Tri-Fold: A4S <sup>*1</sup> , 8-1/2" x 11"S <sup>*1</sup> , 16KS <sup>*1</sup>
Maximum Number of Sheets that can be Centrestapled	20 (52 to 90 g/m <sup>2</sup> ) sheets, or 19 (90 g/m <sup>2</sup> ) sheets + Thick (209 g/m <sup>2</sup> ) 1 sheet
Maximum Number of Folded Sheets	Half-Fold: 5 sheets or Thick (91 to 209 g/m <sup>2</sup> ) 1 sheet, Tri-Fold: 3 sheets
Stacking Capacity	1 to 3 sheets: 20 sets, 4 to 10 sheets: 10 sets 11 to 20 sheets: 5 sets Tri-Fold (1 sheet): 30 sets, Tri-Fold (2-3 sheets): 10 sets
Power Requirements	Supplied from Finisher FS-534
Dimensions [W] x [D] x [H]	210 x 556 x 547 mm (8-1/2" x 21-3/4" x 21-1/2")
Weight	Approx. 24 kg (53 lb)

\*1 S: Short edge feed



## Punch Kit PK-520 (Optional)

Applicable	Finisher FS-534
Number of holes	2 holes or 4 holes
Support Paper Type (Weight)	Thin paper/Plain paper (52 to 90 g/m <sup>2</sup> ), Thick paper (91 to 300 g/m <sup>2</sup> )
Support Paper Size	A3, B4, A4, B5, Foolscap <sup>**2</sup> (8-1/2" x 13-1/2", 200 mm x 330 mm, 8-1/8" x 13-1/4", 8-1/2" x 13", 8-1/4" x 13", 8" x 13"), 8K, 16K
Power Requirements	Supplied from Finisher FS-534
Dimensions [W] x [D] x [H]	61 x 492 x 142 mm (2-1/2" x 19-1/2" x 5-1/2")
Weight	Approx. 1.8 kg (4 lb)

\*1 Set by Customer engineer



## Paper Feed Cabinet PC-110 (Optional)

Support Paper Type (Weight)	Thin paper/Plain paper (52 to 90 g/m <sup>2</sup> ) Thick paper (91 to 256 g/m <sup>2</sup> )
Support Paper Size	A3 to A5S <sup>*1</sup> , 11" x 17" to 8-1/2" x 11", Foolscap <sup>**2</sup> (8-1/2" x 13-1/2", 8-1/2" x 13", 8-1/4" x 13", 8" x 13"), 8K, 16K Crosswise
Paper Capacity	Top tray (Tray 3): Plain paper: 500 sheets, Thick paper: 150 sheets
Power Requirements	Supplied from the MFP main body
Dimensions [W] x [D] x [H]	615 x 652 x 246 mm (24-1/4" x 25-3/4" x 9-3/4")
Unit Configuration	Paper tray, 1 level
Weight	Approx. 22 kg (48-1/2 lb)

\*1 S: Short edge feed

\*2 Set by Customer engineer



## Paper Feed Cabinet PC-210 (Optional)

Support Paper Type (Weight)	Thin paper/Plain paper (52 to 90 g/m <sup>2</sup> ) Thick paper (91 to 256 g/m <sup>2</sup> )
Support Paper Size	A3 to A5S <sup>*1</sup> , 11" x 17" to 8-1/2" x 11", Foolscap <sup>**2</sup> (8-1/2" x 13-1/2", 8-1/2" x 13", 8-1/4" x 13", 8" x 13"), 8K, 16K Crosswise
Paper Capacity	Top tray (Tray 3): Plain paper: 500 sheets, Thick paper: 150 sheets
	Bottom tray (Tray 4): Plain paper: 500 sheets, Thick paper: 150 sheets
Power Requirements	Supplied from the MFP main body
Dimensions [W] x [D] x [H]	615 x 652 x 246 mm (24-1/4" x 25-3/4" x 9-3/4")
Unit Configuration	Paper tray, 2 level
Weight	Approx. 24 kg (53 lb)

\*1 S: Short edge feed

\*2 Set by Customer engineer



## Paper Feed Cabinet PC-410 (Optional)

Support Paper Type (Weight)	Thin paper/Plain paper (52 to 90 g/m <sup>2</sup> ) Thick paper (91 to 256 g/m <sup>2</sup> )
Support Paper Size	A4 Crosswise (8-1/2" x 11" Crosswise)
Paper Capacity	Plain paper: 2,500 sheets, Thick paper: 1,000 sheets
Power Requirements	Supplied from the MFP main body
Dimensions [W] x [D] x [H]	615 x 652 x 246 mm (24-1/4" x 25-3/4" x 9-3/4")
Unit Configuration	Paper tray, 2 level
Weight	Approx. 23 kg (50-3/4 lb)

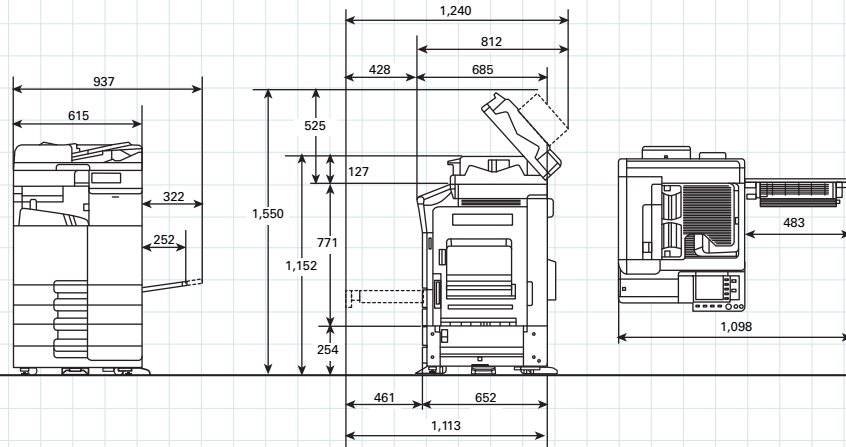
## Authentication Unit (IC Card type) AU-201 (Optional)

Applicable Card	ISO 14443 TypeA, FeliCa-based noncontact IC card
Interface	USB 2.0
Power Supply	Power received from USB port
Dimensions [W] x [D] x [H]	92 x 64 x 16 mm (3-3/4" x 2-1/2" x 3/4")
Weight	Approx. 120 g (264-1/2 lb)

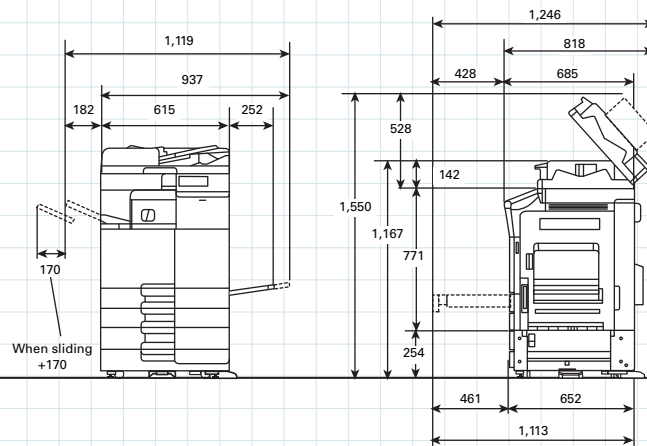
## Authentication Unit (Biometric type) AU-102 (Optional)

Biometric Sensor System	Transmission-type optical system
Interface	USB 2.0
Verification Time	Approx. 1 sec. or less
Max. Power Consumption	DC 5 V 500 mA
Dimensions [W] x [D] x [H]	59 x 82 x 74 mm (2-1/4" x 3-1/4" x 3")
Weight	Approx. 96 g (211-3/4 lb) (excluding USB cable)

■ bizhub C364e (C284e/C224e) + DF-624 + PC-210 (PC-110/PC-410/DK-510) + OT-506



■ bizhub C364e/C284e/C224e + DF-701 + PC-210 (PC-110/PC-410/DK-510) + FS-533



■ bizhub C364e/C284e/C224e + DF-624 + PC-210 (PC-110/PC-410/DK-510) + MK-730 + FS-534

