

→ Configurations



Technical specifications

Copier specifications

Copying process
Electrostatic laser copy
Multipass indirect

Toner system
Simitri polymerised toner

Copy/print speed A4
Colour up to 5 ppm
Mono up to 20 ppm

1st Copy time
Colour 52 sec. (A4)
Mono 23 sec. (A4)

1st Print time
Colour 22 sec. (A4)
Mono 13 sec. (A4)

Warm-up time
Approx. 49 sec.

Copy resolution
600 x 600 dpi

Gradation
256 gradations

Multi-copy
1-99

Original format
A5-A4

Magnification
50-200% in 1% steps
Autozooming

Copy functions
2in1
Duplex copy
Density adjustment
Digital art
Electronic collation

Printer specifications

Print resolution
Up to 2,400 x 600 dpi

Controller CPU
Embedded RISC processor @ 48 MHz

Page description language
GDI

Operating systems

Windows 2000/XP/XP64
Windows VISTA 32/64
Windows VISTA DPWS support
Macintosh 10.x
Server 2000/2003/2003 x64

Print functions

PictBridge
Autozoom
Nup
Poster mode
Booklet
Watermark
Quality adjustment
Overlay

Scanner specifications

Scan speed
Colour up to 5 opm
(600 x 300 dpi via DF)
Mono up to 12.5 opm
(600 x 300 dpi via DF)

Scan resolution
Max.: 600 x 600 dpi

Scan modes
Network TWAIN scan
USB TWAIN scan
Scan-to-email
Windows WIA scan (USB)

File formats
TIFF, PDF

Scan destinations
125 destinations (shared with fax)

Fax specifications

Fax standard
Super G3 (optional)

Fax transmission
Analogue

Fax resolution
Max.: 203 x 392 dpi (superfine)

Fax compression
MH, MR, MMH, JBIG

Fax modem
Up to 33.6 Kbps

Fax destinations
125 destinations (shared with scan)

Fax functions

Auto reduction
Image Smoothing
Delayed transmission

System specifications

System memory
128 MB + 32 MB (network card)

Interface
10-Base-T/100-Base-T Ethernet
USB 2.0

Automatic document feeder
Up to 50 originals

Paper size
A5-A4
Customised paper sizes

Paper weight
64-163 gsm

Paper input capacity
Standard: 200 sheets
Max.: 700 sheets

Paper output capacity
Max. 200 sheets

Automatic duplexing (optional)
A4
64-90 gsm

Copy/print volume (monthly)
Recommended: 5,500
Max.: 8,000

Power consumption
220-240 V / 50/60Hz
Less than 1.1 KW (system)

System dimensions (W x D x H, mm)
528 x 475 x 531

System weight
Approx. 35.3 kg

System features

Software
PaperPort 11 SE
LinkMagic
FaxTalk



bizhub c10

COPY

PRINT



SCAN

FAX



A Professional
All-in-One
for the Desktop

Product appearance, configuration and/or specifications are subject to change without notice.

KONICA MINOLTA, the KONICA MINOLTA logo and symbol mark, and "Giving Shape to Ideas" are registered trademarks or trademarks of KONICA MINOLTA HOLDINGS, INC. bizhub, bizhub PRO, bizhub PRESS, Magicolor, PagePro, PageScope, Simitri, Simitri HD, Simitri HD+, Simitri with Biomass, Emperon, S.E.A.D., S.E.A.D.II, Printgroove and Konica Minolta Optimised Print Services and their respective logos are registered trademarks or trademarks of KONICA MINOLTA BUSINESS TECHNOLOGIES, INC. All other brands and product names are registered trademarks or trademarks of their respective companies or organisations.

Ecology & Environment

KONICA MINOLTA products are designed with the environment in mind.

- The Use of Recycled Materials
- Eco-friendly Toners
- Production at ISO Certified Factories



From consulting, system design, to operations, Konica Minolta offers total support to optimise your office output environment.

<http://www.biz.konicaminolta.com/services/ops>

ISO15408 (EAL Level 3) Certification

These products comply with the security requirements of ISO15408 (EAL Level 3).

* The ISO 15408 certification applies only to IT security capabilities. This certification is NOT a product guarantee.

Requirements for safe use

- Please read and follow the instruction manual to ensure safe operation.
- Only operate using appropriate power supply and voltage.
- Connecting the earth wire to an inappropriate place may cause explosion or electric shock. Please connect accordingly (Taiwan and the Philippines only).

**KONICA MINOLTA
BUSINESS TECHNOLOGIES, INC.**

1-6-1 Marunouchi Chiyoda-ku, Tokyo, Japan
<http://www.biz.konicaminolta.com>

9251-3166-31 0203(E)-C1 Printed in Japan

Giving Shape to Ideas



Anything goes – the compact colour all-rounder

In the small or home office, anything goes with Konica Minolta's little colour all-in-one. The new bizhub C10 is the perfect A4 colour copier, scanner, GDI printer and b/w fax that guarantees personal service.

Whether in the home office of a e.g. sales rep, insurance agent or similar – wherever advanced office communication is required the bizhub C10 excels with quality, economy and reliability. Konica Minolta's little colour all-rounder prints all company-internal documents with sharp detail, produces brochures for customers in professional quality, offers convenient original scanning for emailing or archiving and is ideal to transmit and receive fax information.

With its small footprint, this trendy and compact all-in-one needs a lot less space than 4 individual devices and is much more economic to run. Konica Minolta's proprietary Simitri polymerised toner supports an image quality that's outstanding in this class!

Truly multifunctional in a minimum of space

The scope of the new bizhub C10 is more than generous: In this system all features are standard – there are virtually no optional upgrades. Small wonder that Konica Minolta's colour all-in-one impresses with its comprehensive functionality:

Copying

- The A4 copier delivers 5 colour or 20 b/w pages per minute and offers features like zoom, 2-in-1, automatic double-sided copying, and auto colour recognition.
- Scan-once-print-many makes multiple copies quick and convenient.
- The integrated ADF for up to 50 pages increases user convenience further, processing multi-page documents fully automatically.

Printing

- The bizhub C10 can be connected to the PC via its standard USB 2.0 interface. Also a network connection is possible and provides printer access for example to a second and third user. In addition, a convenient direct PictBridge connection is included.
- Productive printing at 5 colour or 20 b/w pages per minute is supported with standard duplex printing and the generous paper capacity of up to 700 sheets, including the optional 500-sheet tray.
- Print quality is excellent with enhanced resolution of up to 600 x 2,400 dpi and an attractive matt finish that allows easy handwriting on the prints. Edge enhancement with LineArt provides top results especially for text, fine lines and drawings.
- Economic printing is supported with auto colour recognition, only using colour toner where actually required.

Scanning

- The bizhub C10 scans up to 5 colour or almost 13 b/w originals per minute. Multi-page originals are scanned automatically via the ADF.
- Scan-to-email is available, as well as TWAIN scanning and the new scan via WIA (Windows Imaging Acquisition) for Windows XP. Scans can be saved as PDF or TIFF files.
- The clever and convenient LinkMagic software package offers simple and straightforward pull scanning to application from the PC. There's no need for any other scan software.
- The standard PaperPort scan software makes available a convenient OCR functionality. With that PaperPort much facilitates the managing and archiving of documents!



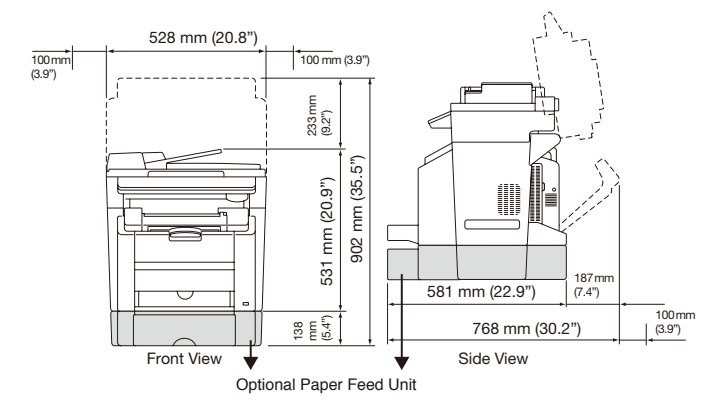
Faxing

- Very convenient for the home office, the bizhub C10's fax memory of 4 MB enables memory receipt. Even without paper no fax will be lost but can be printed after the user returns.
- Helpful fax features include time-send, auto redial, auto-reduction of incoming faxes, or alternatively reduce-and-split for the receipt of faxes.
- The generous address book functionality lets the user store up to 125 individual destinations or combine recipients into groups, much facilitating tasks like the distribution of special offers or latest updates to customers.

Small offices in need of colour and all-round communication can be sure: with the new bizhub C10 from Konica Minolta, anything goes better than ever before!

User-friendly

- Its size makes both use and maintenance simple, and if you want to rearrange the working space, the bizhub C10 can be put almost anywhere – including on the side of a desk.



- The toner cartridge, drum cartridge and other consumables are all pre-installed and ready to go making setup after installation simple. What's more, replacing consumables and paper, clearing paper jams and other tasks can all be done conveniently from the front of the printer. And when the toner runs out, the cartridge is automatically moved to the change position, reducing maintenance time still further.



- The large easy-to-understand and user-friendly control panel makes the bizhub C10 a pleasure to use and more convenient than ever.

